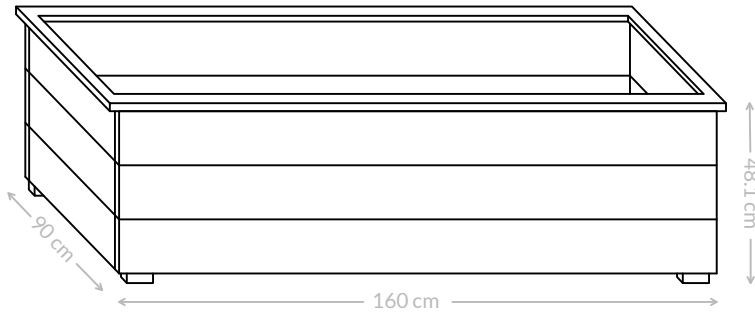
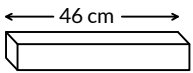
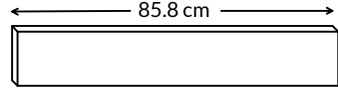
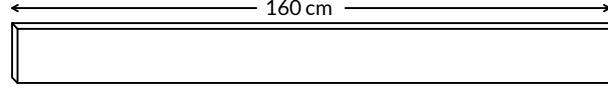
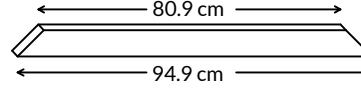
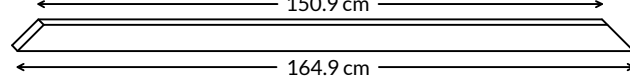

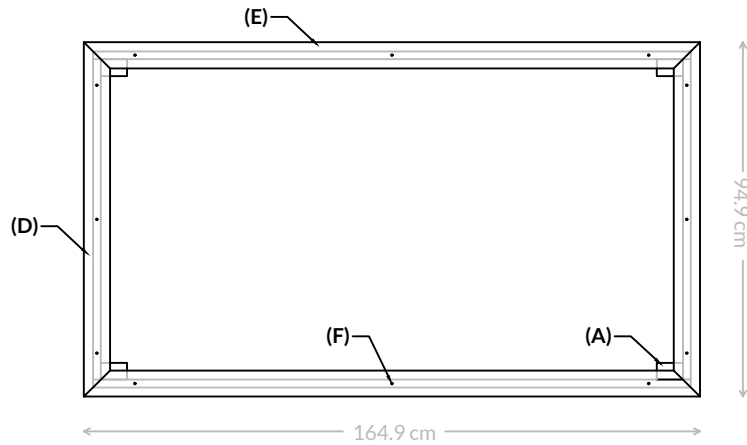


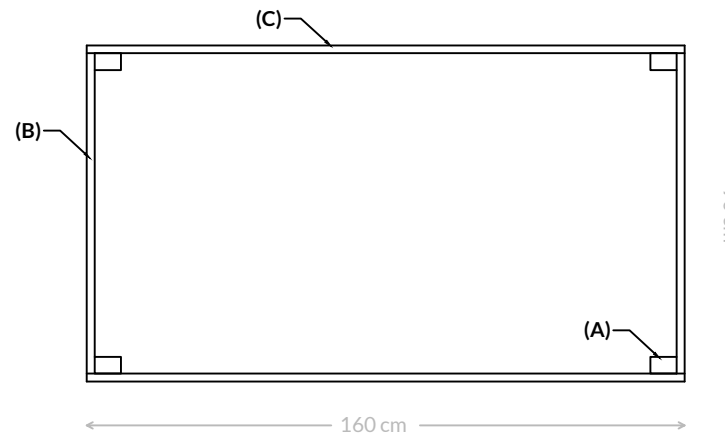
GARDEN BOX PLAN 160 cm x 90 cm



- (A) REGEL (45mm x 70mm)  x 4
- (B) YTTERPANEL (21mm x 145mm)  x 6
- (C) YTTERPANEL (21mm x 145mm)  x 6
- (D) YTTERPANEL (21mm x 70mm)  x 2
- (E) YTTERPANEL (21mm x 70mm)  x 2
- (F) TRÄSKRUV (4.5 x 50 mm)  x 84



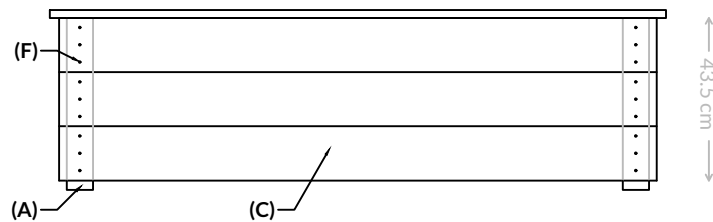
TOP VIEW - WITH LIP



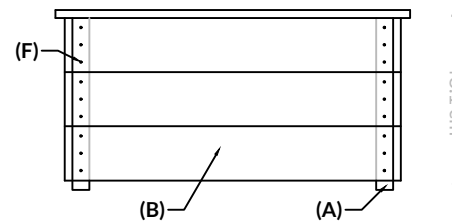
TOP VIEW - WITHOUT LIP

Note: The materials shown here are based on what is available in Sweden. In the United States, the equivalent products are as follows. Note that the exact measurements on this plan will differ slightly. All wood should be untreated.

- (A) 2x3 PINE STUDS
- (B) 1x6 PINE BOARD
- (C) 1x6 PINE BOARD
- (D) 1x3 PINE BOARD
- (E) 1x3 PINE BOARD
- (F) #8 x 2 in. WOOD SCREW



SIDE VIEW - LONG SIDE



SIDE VIEW - SHORT SIDE

For the full guide to building these garden boxes and photographs, click the following link to get to the blog post. <https://liveslowrunfar.com/blog/garden-boxes/>

LIVE SLOW RUN FAR